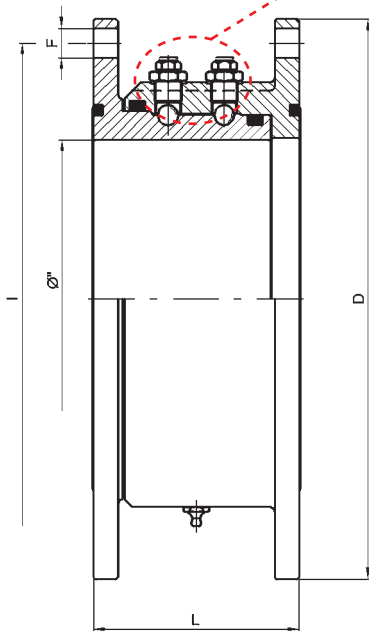
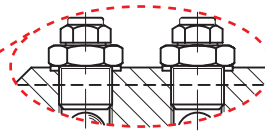
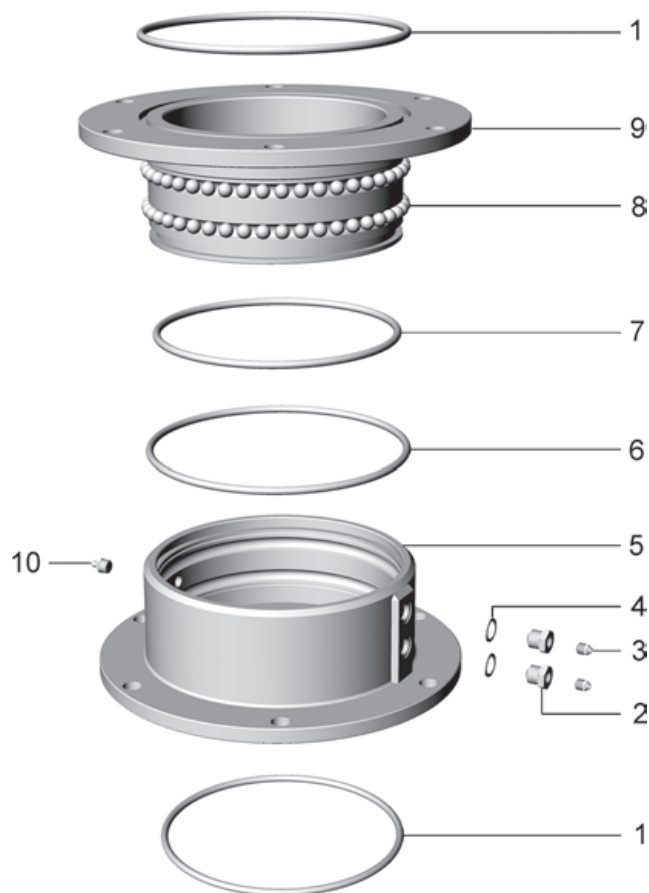


**art. 0700**giunto girevole  
turning joint  
joint tournant  
Drehgelenk  
nudo girable**NUOVO! Valvolina spurgo automatico grasso, tarata a 10 bar**  
NEW! Automatic grease draining valve, set at 10 bar

Ø"	4"	6"	8"	10"
L	127	127	127	127
D	250	290	350	400
I	220	260	320	360
fori holes	6	6	6	6
F	15	15	15	15
sfere ball	62	88	112	138
gr ~	15.900	20.500	27.000	33.000

**Codici di ordinazione**  
Purchase article numbers

	4"	6"	8"	10"
Giunto girevole Turning joint	ARZO 0700 100 000	ARZO 0700 150 000	ARZO 0700 200 000	ARZO 0700 250 000



Condizioni di esercizio

Work conditions

DN	4" - 6" - 8" - 10"
P(Bar)	6
P(PSI)	90
T °C	-15 +80

POS.	CODICE / CODE	DENOMINAZIONE	DENOMINATION	MATERIALE	MATERIAL
1	..OR 0240 045 015	OR 207 (Øi 129,54×6,99) 4"	O RING 207 (Øi 129,54×6,99) 4"	GOMMA NBR 70	NBR 70 RUBBER
1	..OR 0700 150 015	OR 233 (Øi 181,00×6,99) 6"	O RING 233 (Øi 181,00×6,99) 6"	GOMMA NBR 70	NBR 70 RUBBER
1	..OR 0700 200 015	OR 244 (Øi 227,97×6,99) 8"	O RING 244 (Øi 227,97×6,99) 8"	GOMMA NBR 70	NBR 70 RUBBER
1	..OR 0700 250 015	OR 252 (Øi 278,77×6,99) 10"	O RING 252 (Øi 278,77×6,99) 10"	GOMMA NBR 70	NBR 70 RUBBER
2	TOZO 0700 100 006	TAPPO 3/8" ES 20	COVER 3/8" ES 20	OTTONE UNI EN 12164	UNI EN 12164 BRASS
3	INGR 0700 100 007	VALVOLINA DI SPURGO	BLEED VALVE	ACCIAIO	STEEL
4	ROAL 0700 100 008	RONDELLA Ø22×17×1,5	WASHER Ø22×17×1,5	ALLUMINIO	ALUMINIUM
5	FGZO 0700 100 002	CORPO FEMMINA 4"	FEMALE BODY (4")	GHISA Gs400 UNI EN 1563	Gs400 UNI EN 1563 CAST IRON
5	FGZO 0700 150 002	CORPO FEMMINA 6"	FEMALE BODY (6")	GHISA Gs400 UNI EN 1563	Gs400 UNI EN 1563 CAST IRON
5	FGZO 0700 200 002	CORPO FEMMINA 8"	FEMALE BODY (8")	GHISA Gs400 UNI EN 1563	Gs400 UNI EN 1563 CAST IRON
5	FGZO 0700 250 002	CORPO FEMMINA 10"	FEMALE BODY (10")	GHISA Gs400 UNI EN 1563	Gs400 UNI EN 1563 CAST IRON
6	..OR 0240 045 015	OR 207 (Øi 129,54×6,99) 4"	O RING 207 (Øi 129,54×6,99) 4"	GOMMA NBR 70	NBR 70 RUBBER
6	..OR 0700 150 015	OR 233 (Øi 181,00×6,99) 6"	O RING 233 (Øi 181,00×6,99) 6"	GOMMA NBR 70	NBR 70 RUBBER
6	..OR 0700 200 005	OR 245 (Øi 234,32×6,99) 8"	O RING 245 (Øi 234,32×6,99) 8"	GOMMA NBR 70	NBR 70 RUBBER
6	..OR 0700 250 004	OR 250 (Øi 266,10×6,99) 10"	O RING 250 (Øi 266,10×6,99) 10"	GOMMA NBR 70	NBR 70 RUBBER
7	..OR 0700 100 004	OR 197 (Øi 114,70×6,99) 4"	O RING 197 (Øi 114,70×6,99) 4"	GOMMA NBR 70	NBR 70 RUBBER
7	..OR 0700 150 004	OR 228 (Øi 166,70×6,99) 6"	O RING 228 (Øi 166,70×6,99) 6"	GOMMA NBR 70	NBR 70 RUBBER
7	..OR 0700 200 004	OR 242 (Øi 215,30×6,99) 8"	O RING 242 (Øi 215,30×6,99) 8"	GOMMA NBR 70	NBR 70 RUBBER
7	..OR 0700 250 004	OR 250 (Øi 266,10×6,99) 10"	O RING 250 (Øi 266,10×6,99) 10"	GOMMA NBR 70	NBR 70 RUBBER
8	SFAC 0700 100 003	SFERA Ø1/2"	BALL Ø 1/2"	ACCIAIO AL CROMO	CHROME - STEEL
9	FGZO 0700 100 001	CORPO MASCHIO 4"	MALE BODY (4")	GHISA Gs400 UNI EN 1563	Gs400 UNI EN 1563 CAST IRON
9	FGZO 0700 150 001	CORPO MASCHIO 6"	MALE BODY (6")	GHISA Gs400 UNI EN 1563	Gs400 UNI EN 1563 CAST IRON
9	FGZO 0700 200 001	CORPO MASCHIO 8"	MALE BODY (8")	GHISA Gs400 UNI EN 1563	Gs400 UNI EN 1563 CAST IRON
9	FGZO 0700 250 001	CORPO MASCHIO 10"	MALE BODY (10")	GHISA Gs400 UNI EN 1563	Gs400 UNI EN 1563 CAST IRON
10	INGR 0020 100 012	INGRASSATORE 1/4" G	GREASE NIPPLE 1/4" G	ACCIAIO	STEEL